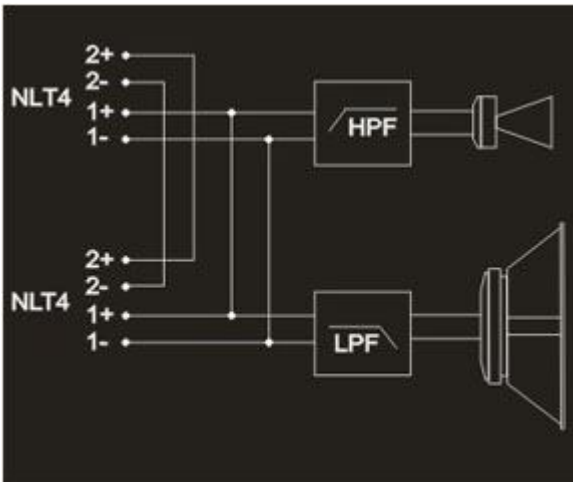
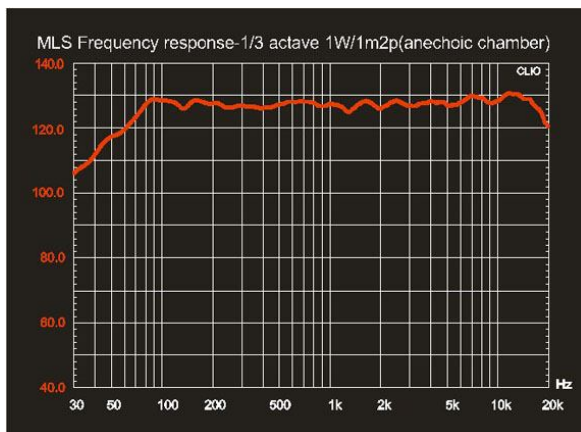


PF15⁺

Wiring



Frequency Response



Drawing

